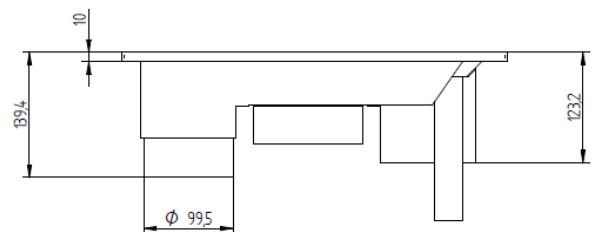
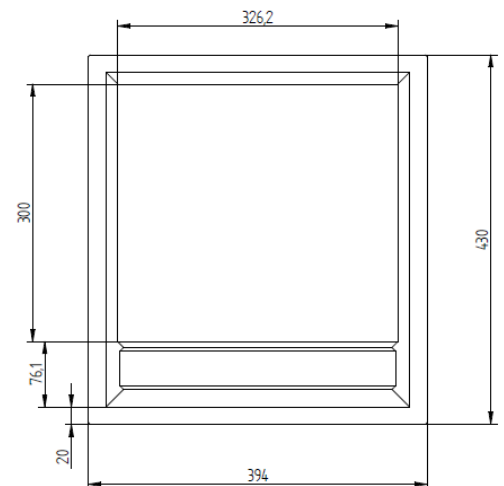
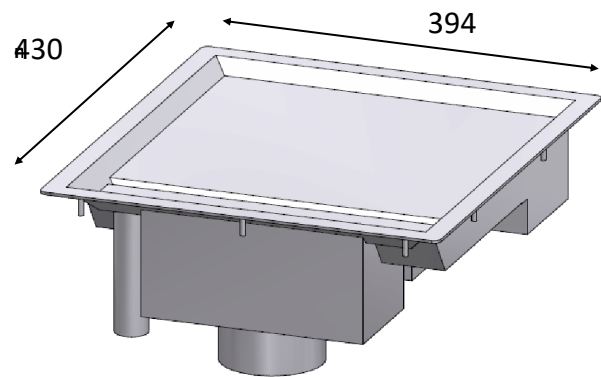


### TECHNICAL FEATURES

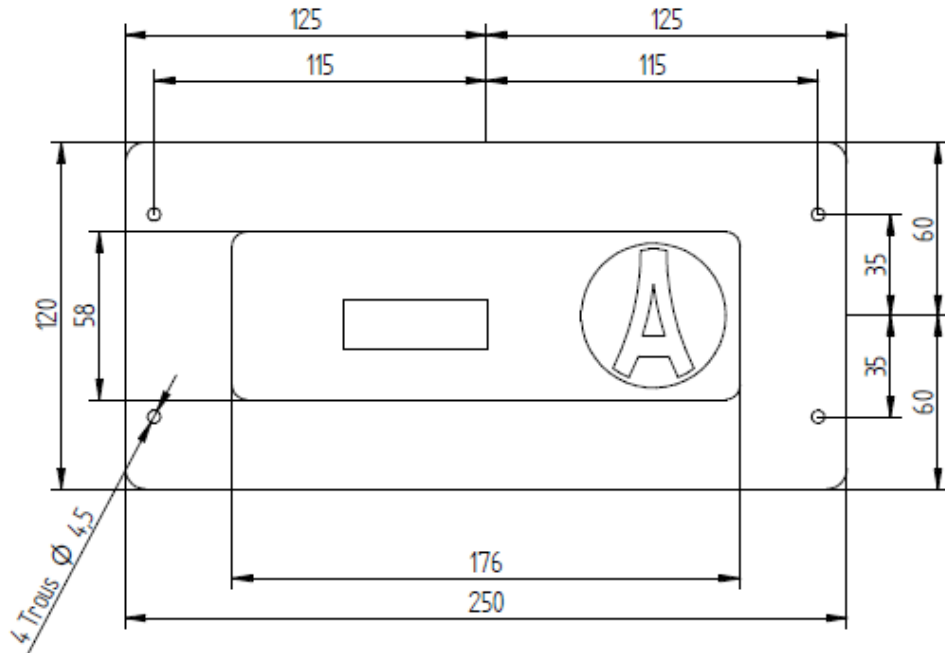
<b>External structure</b>	Heating surface in high-performance composite material (food grade stainless steel compliant with standard NFA36-711).
<b>Dimensions</b>	430 x 394 x 139
<b>Power</b>	4000W
<b>Cooking surface</b>	Multilayer composite aluminium + stainless steel
<b>Control panel</b>	360° control knob and temperature display in °C on a 4-digit display.
<b>Amp</b>	6A
<b>Functions</b>	Temperature setting: min: 60°C - max: 250°C. Temperature adjustment range: 10°C Time to reach 200°C: less than 3 minutes.
<b>Power supply</b>	400 V ; 440 V ; 220 V ; AC 50 - 60 Hz Compatible with TERRA WATT & SICO-TRONIC energy optimizer.
<b>Weight</b>	25kg / 55,1 lbs
<b>Standards</b>	Complies with European standards for safety of electrical appliances,.
<b>Options &amp; Details</b>	<p>Equipped with an evacuation tube to connect.</p> <ul style="list-style-type: none"> <li>- Equipped with 1 remote compact duo generator with 1.5m cable length to be positioned in the furniture structure.</li> <li>- Equipped with 1 flush-mounted control block with 1.5m cable length.</li> <li>- Delivered with 1 tangential cooling and hot air extraction of the compact duo generator with 1.5m cable length to be fixed in the furniture structure.</li> </ul> <p><b>Option for manufacturer:</b></p> <p>Available length of cables between the heating plate and the generator of 3,5,8,10,12 and 15m.</p> <p>Available length of cables between control and generator of 3,5,8,10,12 or 15m.</p>



Integration cut-out dimensions: 362x398mm

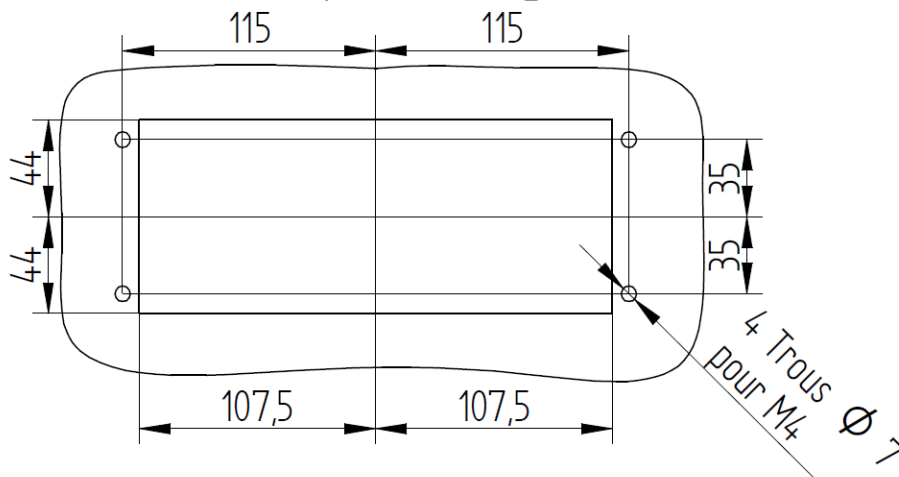


Controls dimensions



Integration plan

Découpe / Cutting



Cut out dimensions 215x88mm

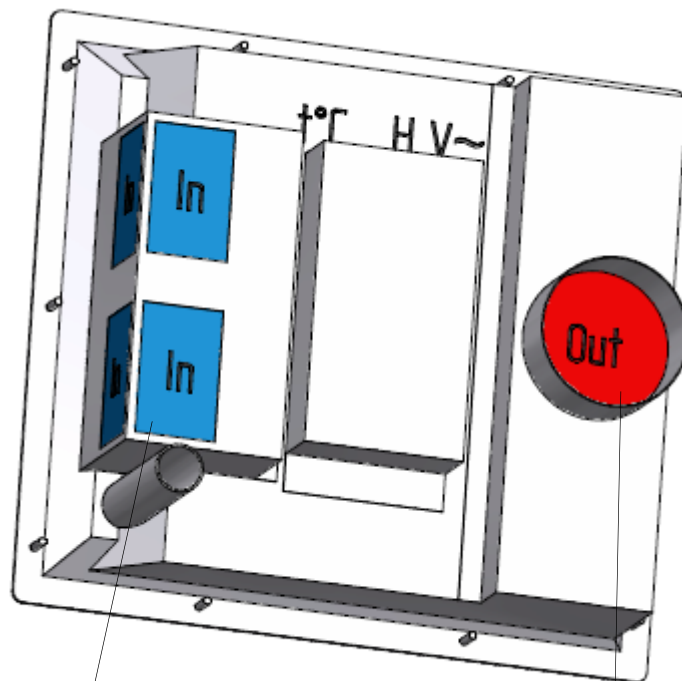
ADVENTYS  
Route de Pagny - 21250 Seurre - France  
www.adventys.com  
sales@adventys.com  
T: +33 3 80 20 46 15

Important note

Adventys reserves the right to modify specifications without notice.



Aeraulic



**Fresh air inlet**

**Hot air outlet**

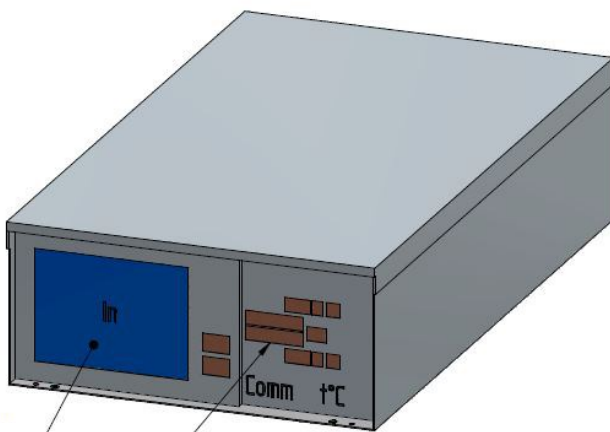
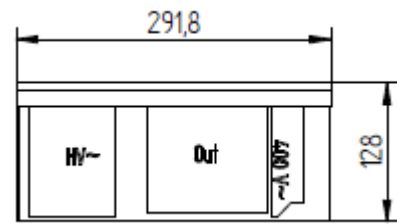
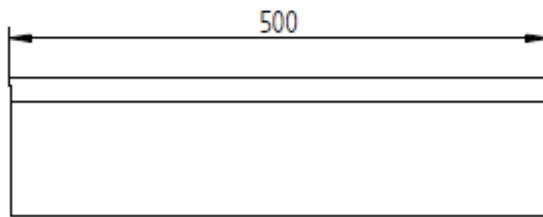
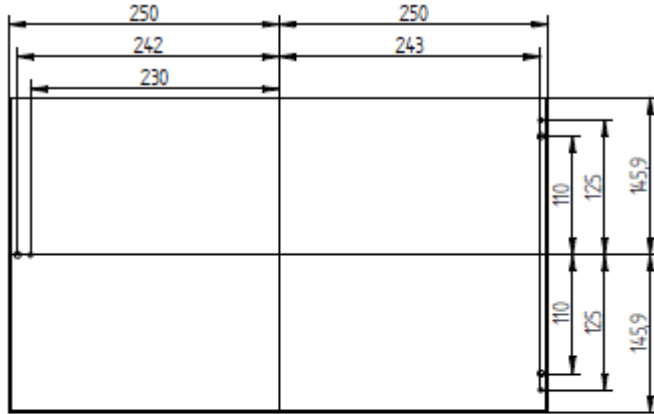
**ADVENTYS**  
Route de Pagny - 21250 Seurre - France  
[www.adventys.com](http://www.adventys.com)  
[sales@adventys.com](mailto:sales@adventys.com)  
T: +33 3 80 20 46 15

**Important note**

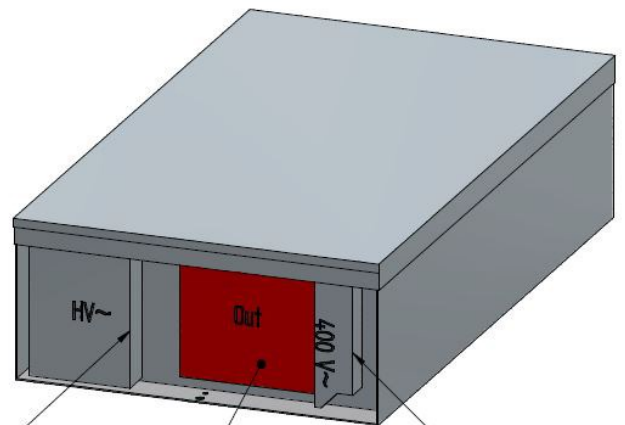
Adventys reserves the right to modify specifications without notice.



### Generator dimensions



Air inlet  
 Connection of controls, sensors, fans



Connection of inductors  
 Air outlet  
 Mains connection

**ADVENTYS**  
 Route de Pagny - 21250 Seurre - France  
[www.adventys.com](http://www.adventys.com)  
[sales@adventys.com](mailto:sales@adventys.com)  
 T: +33 3 80 20 46 15

**Important note**

Adventys reserves the right to modify specifications without notice.

